

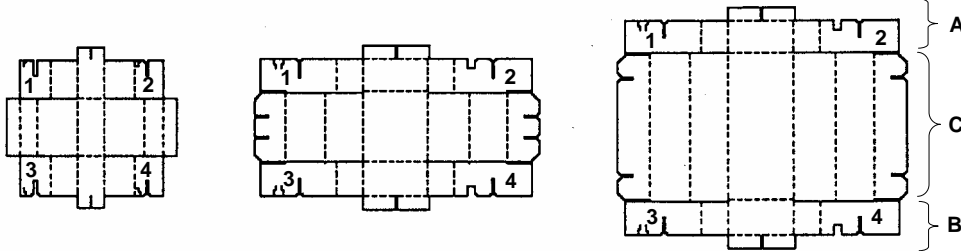

ImagiBRICKS™ GIANT
BUILDING BLOCKS
 Assembly Instructions

Assembly Instructions are the same for all building block sizes

small blue blocks

medium yellow blocks

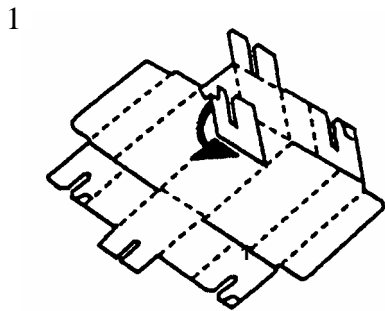
large red blocks



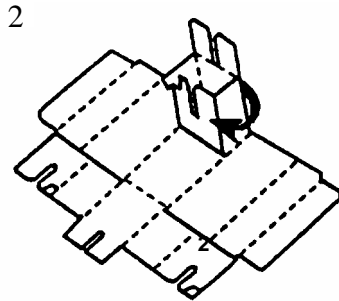
OVERVIEW

Each block is created by folding section A into a small box and then folding section B into a small box. Then the flaps in section C are folded around and into the smaller boxes to complete the block (see step 6 below).

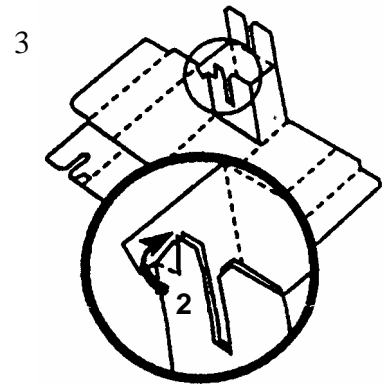
To make section A into a small box, complete steps 1 through 3:



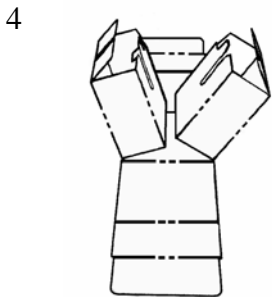
Fold in flap 1 as shown.



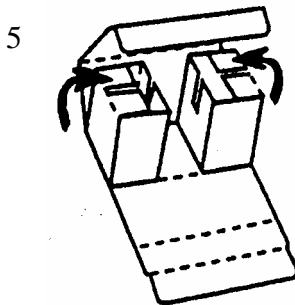
Fold flap 2 around flap 1 to form a small box.



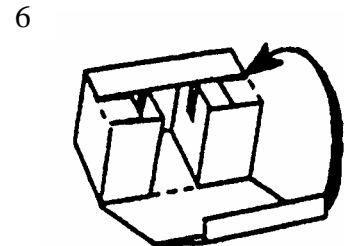
To hold the box together, fold in the small tab.



To make section B into a small box: Repeat steps 1 through 3 (with flaps 3 and 4).



Fold down the two flaps on each small box. Then insert the edge flap from section C into the slots on the small



Insert the remaining flap from section C into the slots to complete the block.


ImagiPLAY
 Toys that inspire imagination!
 Boulder, Colorado
 (800) 882-0217

We carefully check all our toys before they leave the factory, but if there is a problem, we'll take care of it. Please call our customer service department toll free @ (800) 882-0217.